

Qoltec[®]

Model: 52440, 52441

INTRODUCTION

Thank you for your trust and for choosing the Qoltec combination lock. We are confident that the product will meet your expectations.

This manual will guide you through the installation and use of the unit. It contains important safety instructions for operation and correct installation. If you have any questions after reading the manual, please contact Customer Service.

ABOUT THE PRODUCT

The OBERON combination lock from Qoltec uses electronic encryption technology. It has several programming options. It supports up to 10000 users. It can be opened, for example, with an individual access code consisting of any combination of digits, if correct the lock releases the lock and unlocks access.

Our product has the highest rating for rain and dust resistance, IP68. We make sure that our brand's products are united not only by their design aesthetics, but also by their durability.

Product features

- Support for up to 10,000 users
- Can be opened with individual access code, card, key fob, card + PIN and fingerprint
- It has a backlit digital keypad
- Equipped with fingerprint, proximity card and key fob reader
- Designed with the highest rain and dust resistance rating IP68
- Made with attention to detail ensuring the durability of the product
- 2-year warranty on Qoltec combination locks

TECHNICAL SPECIFICATIONS

Technical specifications

No	Parameter	Value
1	Nominal voltage	DC 12 - 24V
2	Number of users	10000

3	Load	<100mA
4	Standby current	≤35mA
5	Operating temperature	-40°C~60°C
6	Operating humidity	0% - 95%
7	Type	EM
8	Transmission type	RFID
9	Degree of protection	IP68
10	Frequency	125kHz
11	Means of access	Fingerprint, card, code or combination of methods

INSTALLATION

- Remove the back cover of the keyboard using the screwdriver provided
- Drill 2 screw holes in the wall and a hole for the cable
- Insert the supplied rubber pins into the holes
- Fix the back cover firmly to the wall with screws
- Pull the cable through the hole
- Attach the keyboard to the back cover

Wiring

No.	Colour	Function	Description
1	green	D0	WG output D0
2	white	D1	WG output D1
3	grey	ALARM	Alarm - (alarm + connect to 12 V+)
4	yellow	OPEN	Exit button
5	brown	D_IN	Door contact switch input (LED input as reader mode) (optional)
6	red	12V+	Positive power connection
7	black	GND	Negative power connector
8	blue	NO	End of relay NO (connect "normally open" lock "-")
9	violet	COM	COM relay end
10	orange	NC	End of relay NC

The diagram in **Figure 1** (Power supply diagram), **Figure 2** (Special power supply) and **Figure 3** (Reader modes) will help to connect the cables appropriately.

Note: The door reed switch and alarm function are optional.

Sound and light signalling

OPERATIONAL STATUS	INDICATOR LIGHT	BRZĘCZYK
Vigil	Red	-
Successful operation	Green	signal
Unsuccessful operation	-	3 signals
Entrance to administrator card programming	-	2 signals
Exit from administrator card programming	-	signal
Press the digital key	-	signal
Press the * key	-	signal
Press the access code	Slow flashing red	-
Card reading in card plus code mode	Slow flashing red	-
Multi-user card reading	Slow flashing red	-
Activation of programming mode	Slow flashing red	-
Setting status input	Orange	-
Unblocking	Green	-
Buzzer alarm	Slow flashing red	Alarm

ADMINISTRATION MENU

Correct programming of the combination lock will guarantee effective use in accordance with your expectations. We provide a detailed programming guide.

Stand-alone mode settings

Device management				
Introduction of the programme	Menu	Action steps	Description	Default value
Press * admin code # (default "999999")	00	New admin code # New admin code #	Change of admin code	999999
	01	Load card / enter fingerprint twice *	Set to add an administrator card or add an administrator fingerprint	
	02	Load card / enter fingerprint twice *	Set the deletion of the administrator's card or the addition of the administrator's fingerprint	
	03	0#	Reader mode	1
1#		Autonomous access control mode		
2#		Relay switching mode		
	08		WiFi pairing	Optional
	09	Unlock code # (4-6 digits)	Public code	

Adding and deleting users				
Introduction of the programme	Menu	Action steps	Description	Default value
Press * admin code # (default "999999")	11	Read card / Enter fingerprint twice ... *	Adding card or fingerprint users continuously	"..." means repeating the previous operation. Press the * button to exit.
		Enter the 8 or 10 digit card number # ... *	Adding card users by card number	
		Enter ID number # read card / enter fingerprint twice ... *	Adding card or fingerprint users by specific ID number	
		Enter ID number # enter 8 or 10 digits of card	Adding card users by specific ID and card number	

		number # ... *.		
		Enter ID number # press code # ... *.	Add the code of an independent user according to a specific ID number	
	12	Read user card, enter first fingerprint twice, enter second fingerprint twice ... *.	Match fingerprints to card (maximum 2 fingerprints)	
	13	Enter ID number # enter 8 or 10 digits of card number # enter number of cards #	Add a conductor number card	

Deletion of users

	21	Read card / enter fingerprint once ... *.	Deleting users with a card by reading the card / Deleting users with a fingerprint by entering the fingerprint	"... "means repeating the previous operation. Press the * button to exit
		Enter the 8 or 10 digits of the card number # ... *.	Deletion of card users by card number	
		Enter ID number # ... *.	Deletion of users by ID number	
	20	0000#	Delete all users	

Means of access

Introduction of the programme	Menu	Action steps	Description	Default value
Press * admin code # (default "999999")	31	0#	Prohibited opening of doors	4
		1#	Entry by code only	
		2#	Entry by card only	
		3#	Entry via card + code or fingerprint + code	
		4#	Access by card, fingerprint or code	
		5#	Entry via fingerprint only	
		6#	Fingerprint + card entry	
	7#	Multi-fingerprint/multi-card input		
	32	1#	Entry via 1 card / user fingerprint	1
	2-10#	Entry via 2-10 cards/user fingerprints		

Reader mode settings

Introduction	Menu	Action steps	Description	Default
--------------	------	--------------	-------------	---------

of the programme	u			value
Press * admin code # (default "999999")	00	New admin code # New admin code #	Change the admin code	999999
	01	Card reading / enter fingerprint twice *	Enter administrator card/fingerprint	
	02	Card reading / enter fingerprint twice *	Remove administrator card/fingerprint	
	03	0#	Reader mode	1
		1#	Stand-alone access control mode	
		2#	Relay switching mode	
	11	Enter fingerprint twice ... *	Continuous addition of fingerprints	"..." means repeating the previous operation. Press the * button to exit.
		Enter ID number # Enter fingerprint twice ... #.	Assign the user's fingerprint to an ID number	
	21	Enter fingerprint once ... *	Continuous fingerprint removal	
		Enter ID # ... *	Deletion of users by ID number	
	20	0000#	Delete all users	
	42	0#	Setting the alarm time to 0S, disables it	
		(1-99)#	Alarm time range: 1-99 min	0
	51	(0-255)#	Set device number	
	52	(26-58)#	Wiegand output: 26-58 bits	26
	53	0#	Keypad transmission format 4 bits	0
		1#	Keypad transmission format 8 bits	
		2#	Virtual card number output	

ADMINISTRATOR CARD OPERATION

Add card

Bring the administrator card

Load the first user card

Load a second user card

Bring the administrator card

Note: The add users tab is used to quickly add users continuously. When you load the admin card for the first time, you will hear a short "pii" sound twice and the indicator will turn orange, indicating that you have entered add user mode. When the administrator card is loaded for the second time, you will hear a long "pii" sound once and the indicator will turn red, indicating that you have exited user addition mode.

Delete card

Bring the administrator card

Load first user card

Bring the administrator card

Note: The erase card is used to quickly continuous card users. The first time the administrator card is loaded, you will hear a short "pii" sound twice and the indicator lamp will turn orange, indicating that you have entered user delete mode. The second time the administrator card is loaded, you will hear a long "pii" sound once and the indicator lamp will turn red, indicating that you have exited user deletion mode.

Changing the user code with the card

Press

*

Load card old code #

New

New

Note: the default code '1234' of the card cannot open the door until it is changed.

Changing the user code with a fingerprint

Press

*

Put your

Old code#

New

New

Note: the default code '1234' of the card cannot open the door until it is changed.

Change of user code by ID number

*

Put your

Old code#

New

New

Press

Note: The ID number must be known to the administrator before changing the code, the user code must not be the default code "1234"

OTHER OPERATIONS

Alarm deactivation

or
and

Note: when the alarm is activated, the user can delete it by reading the card, entering a fingerprint or pressing the administrator code.

Restore to factory settings

Users can restore factory settings when they have forgotten the administrator code or changed the default settings:

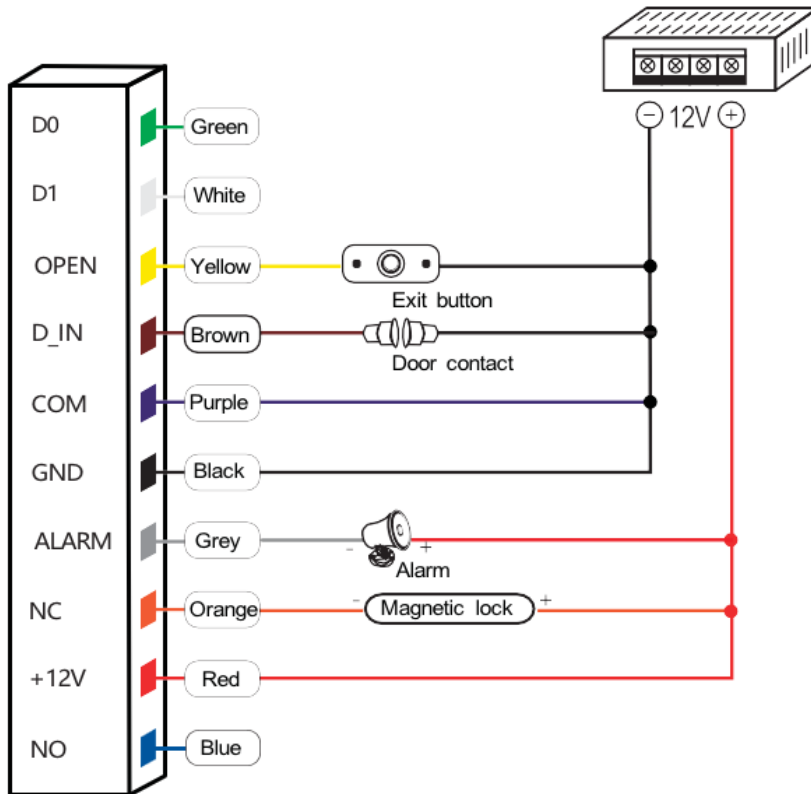
Turn the power off, press and hold the # key or exit button, turn the power on, release the # key or exit button, you will hear a double beep. The administrator code will be changed to the default 999999 and the factory settings will be restored.

DEVICE ACTING AS A WIEGEND OUTPUT READER

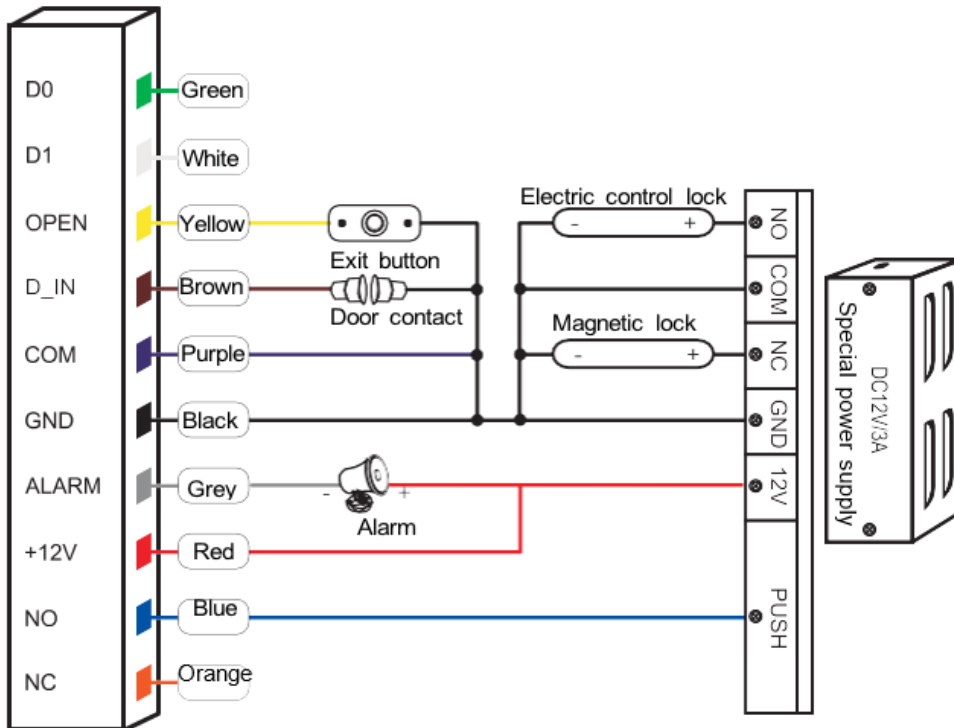
In this mode, the device supports a 26-bit Wiegand output, so the Wiegand data lines can be connected to any controller that supports a 26-bit Wiegand input. The diagram can be seen in Figure 3.

ATTACHMENT

1.



2.



3.

