



Qoltec FAST Ethernet PoE SWITCH | 4x RJ45 PoE | 2x RJ45 Uplink | 65W | 10/100 Mb/s

Product code: 52289

The SWITCH PoE network switch combines switch functions with the ability to power network devices via Ethernet. It is equipped with 4 100Mb/s ports with PoE power support and an additional 100Mb/s uplink port. It enables data transmission and power supply to IEEE 802.3af-compliant devices, such as IP cameras and Wi-Fi access points, offering a maximum power of 15.4W per port and a total maximum power of 65W for the entire device. It automatically detects and identifies connected devices, ensuring safe and optimal power supply. Power cable included.

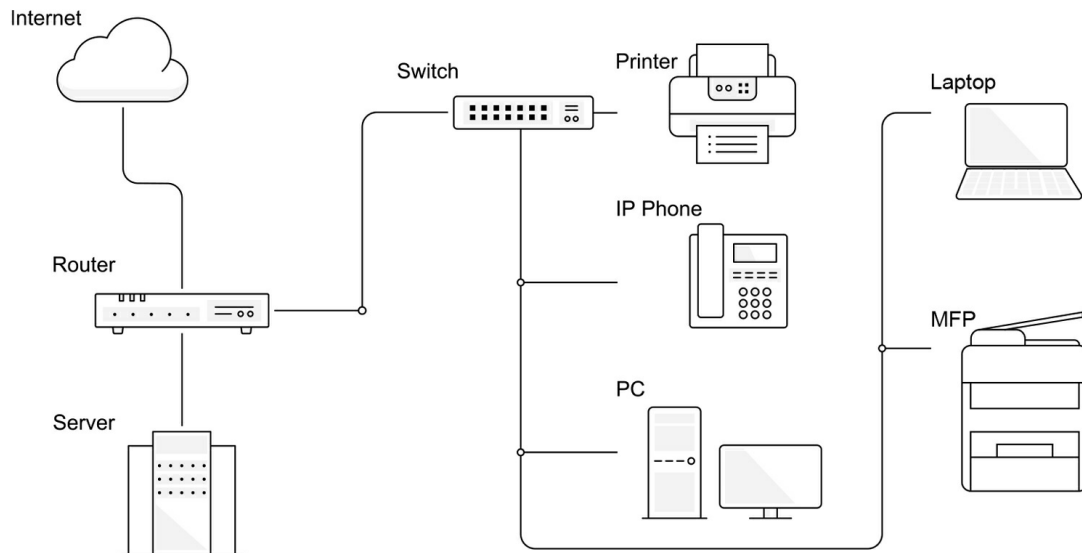
DISCOVER THE FULL POTENTIAL OF YOUR NETWORK



Advanced PoE technology - Stable and fast local network, smooth data transmission

Discover a reliable and efficient Plug&play network device. With 4 10/100 Mbps ports with PoE and additional Uplink ports (RJ45 100 Mbps), the device allows you to create a flexible and scalable LAN — without unnecessary power cables, external power supplies or additional switches. Two Uplink ports allow you to conveniently connect the switch to a router, NVR recorder or another switch, facilitating the construction of a flexible and scalable network infrastructure.

RELIABLE COMMUNICATION - WIDELY USED IN ANY SPACE



Power and transfer data from IP cameras, connect network points

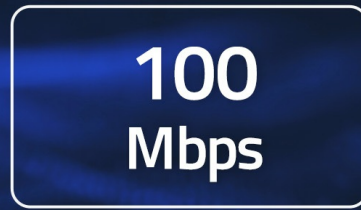
The switch has been designed for users who need a reliable network connection in various environments:

- **IP monitoring systems** - Power IP cameras directly via an Ethernet cable
- **Wi-Fi access points**
- **Ideal for expanding your home Ethernet network** and powering network devices in one place, without complicated configuration
- **Building automation and IoT** - Powering sensors, controllers and network devices in smart home and industrial automation systems,
- **Video door phones and access control** - in entry control systems, video door phones and recorders where a reliable PoE power supply is required.

POWER UP AND TRANSFER DATA AT SPEEDS OF UP TO 100 MB/S



4 POE PORTS



2 UPLINK PORTS

Automatically detects and recognises PoE devices, data transfer speed up to 100 Mbps

Discover new possibilities with the Qoltec device, which offers:

- 4 RJ45 PoE Fast Ethernet 10/100 Mbps ports,
- 2 RJ45 Uplink ports for connecting a router or further network expansion,
- Compliant with the IEEE 802.3af standard - offering up to 15.4W per port and a total of 65W output power for the entire switch,
- Automatic detection of PoE devices,
- Data transfer speed up to 100Mb/s,
- Robust metal housing protects the electronics inside and allows operation in more demanding conditions,
- Quiet operation thanks to passive cooling,
- Plug&Play – no configuration required.

QUIET OPERATION, STURDY METAL CONSTRUCTION AND INSTANT INSTALLATION



Simple and quick device installation, Plug&play

Our device **offers instant and hassle-free installation** thanks to Plug & Play technology, which requires no additional configuration or specialist technical knowledge. All you need to do is follow a few simple steps. First, connect the devices to the appropriate RJ45 ports using the appropriate network cables, then connect one of the ports to your router or access modem. Ensure that the LEDs on the switch indicate activity on the ports. The durable metal housing protects the electronics, ensures durability, resistance to electromagnetic interference and effective heat dissipation, which translates into long and stable operation of the device.

TRUST CONFIRMED BY WARRANTY

Product with 24 months guarantee

Do you care about the high quality of the product you buy? Our solutions will meet your expectations. **The product is covered by a 24-month warranty** valid from the day of purchase.

TECHNICAL DATA

Producer	Qoltec
Standard	IEEE802.3, IEEE802.3u, IEEE802.3x, IEEE802.3af
Interface	4xRJ45, 2xRJ45 Uplink
Max. bandwidth	1.6Gb/s
Max. baud rate	100BASE-TX:14800pps/port
Signal speed	Uplink : 10/100Mb/s, PoE : 10/100Mb/s
Range	~100m
Cooling system	Passive cooling
Usage	Communication, Internet
Application	IP surveillance (PoE cameras) Wi-Fi access points Small and medium office networks Automation and IoT systems
Additional information	1K MAC addresses from the list (1000)
OTHER PARAMETERS	
Colour	Black
Material	Metal
Operating temperature	-25 C ~ 40
Dimensions (D/L x W x H)	126 x 205 x 43 mm
Package	Box
Package contents	1 x Network switch 1 x Cable 1.30m 1 x User manual 1 x Warranty card
Package depth / length [mm]	185
Package width [mm]	230
Package height [mm]	70
Net weight [kg]	0,697
Gross weight [kg]	0,826
Warranty	24 months
EAN code	5901878522890