



Qoltec Gigabit Ethernet SWITCH | 24x RJ45 | 2x SFP | 1000 Mb/s

Product code: 52365

It is equipped with 24 x 10/100/1000 Mb/s RJ45 ports and 2 x 1000 Mb/s SFP fibre optic ports. The switch enables stable and efficient data transmission in networks compliant with IEEE 802.3, IEEE 802.3u and IEEE 802.3x standards. It automatically detects connected devices and adjusts transmission parameters to ensure optimal network performance. Power cable included.

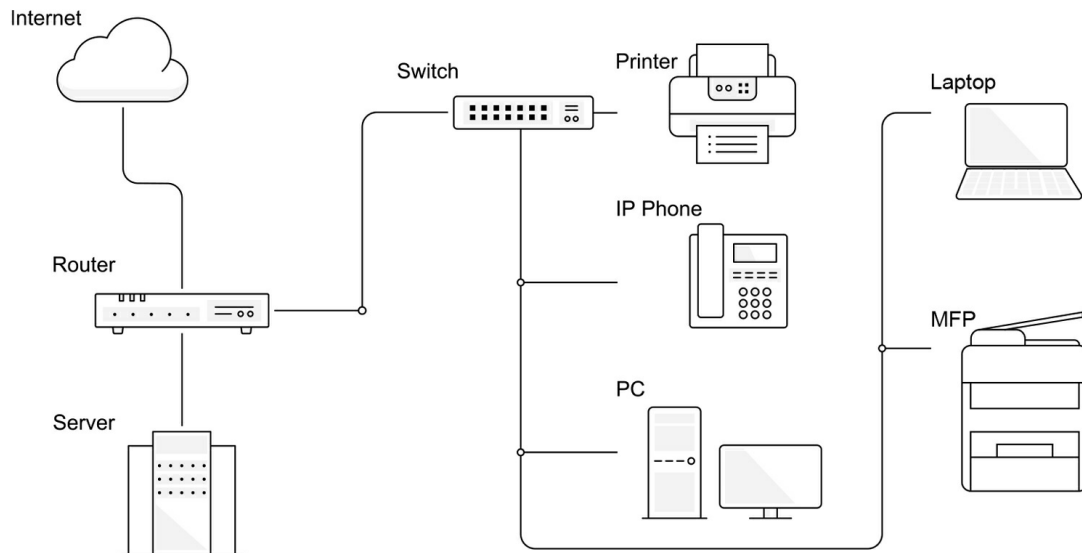
DISCOVER THE FULL POTENTIAL OF YOUR NETWORK



Advanced technology - Stable and fast local network, smooth data transmission
Experience a reliable and efficient plug-and-play network switch.

Equipped with 24 10/100/1000 Mbps RJ45 ports and 2 1000 Mbps SFP (fiber) ports, it allows you to build a flexible and scalable LAN infrastructure. The switch ensures stable data transmission and easy network expansion without the need for additional switches or complex configuration.

RELIABLE COMMUNICATION - WIDELY USED IN ANY SPACE

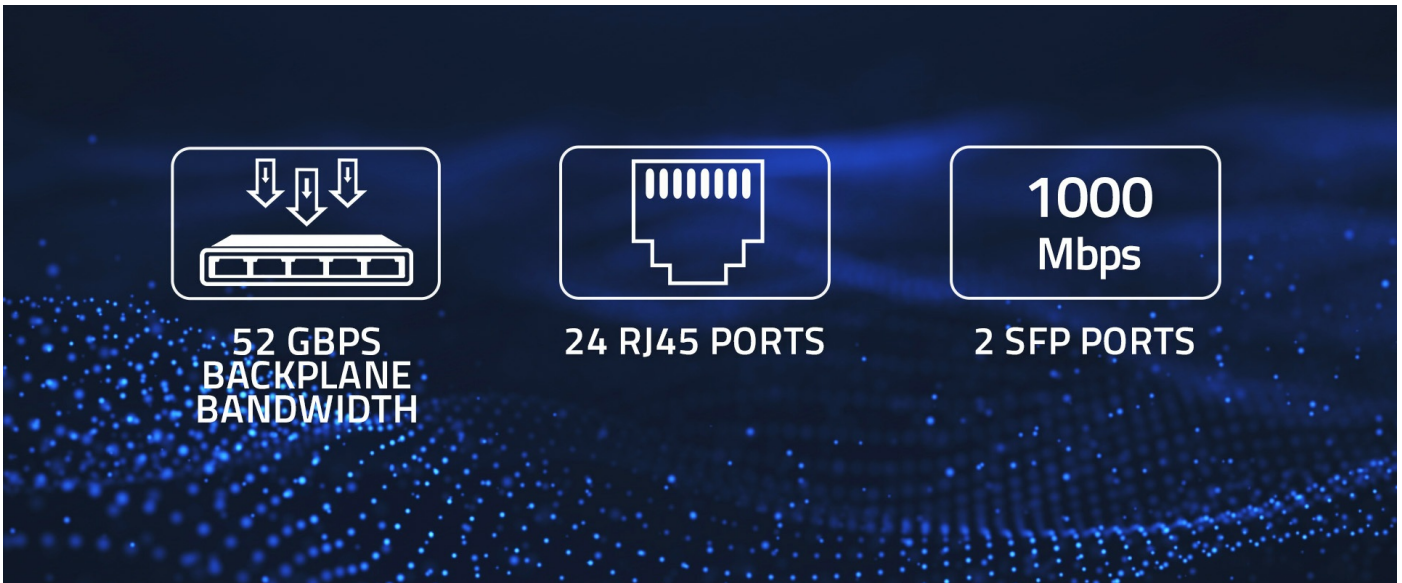


Transmit data from IP cameras, connect network points using fiber over SFP port

The switch is designed for users who need a reliable network connection in various environments:

- in home multimedia networks (movie streaming, online gaming, smart home operation),
- In IP surveillance,
- in small and medium-sized companies (Wi-Fi access points, VoIP, NAS servers),
- in fiber optic installations (thanks to the SFP port - e.g., interconnection between buildings).

TRANSFER DATA AT SPEEDS OF UP TO 1 GB/S



Automatically detects and recognizes devices, Data transmission speed up to 1 Gb/s

Discover new possibilities with a Qoltec device that offers:

- Compliance with IEEE 802.3, IEEE 802.3u, IEEE 802.3x standards,
- SFP ports for fiber optic connections,
- Data transmission speed up to 1Gb/s,
- Robust metal housing protects the electronics inside and allows for operation in more demanding conditions,
- Quiet operation thanks to passive cooling,
- Plug & Play - no configuration.

QUIET OPERATION, STURDY METAL CONSTRUCTION AND INSTANT INSTALLATION



Simple and fast installation of the device, Plug&play

Our device **offers quick and hassle-free installation** thanks to Plug & Play technology, which requires no additional configuration or specialist technical knowledge. All you need to do is follow a few simple steps. First, **connect the devices to the appropriate RJ45 ports using the appropriate network cables**, then connect one of the ports to your router or access modem. Ensure that the LEDs on the switch indicate activity on the ports. The durable metal housing protects the electronics, ensures durability, resistance to electromagnetic interference and effective heat dissipation, which translates into long and stable operation of the device.

TRUST CONFIRMED BY WARRANTY

Product with 24 months guarantee

Do you care about the high quality of the product you buy? Our solutions will meet your expectations. **The product is covered by a 24-month warranty** valid from the day of purchase.

TECHNICAL DATA

Producer	Qoltec
Standard	IEEE802.3, IEEE802.3u, IEEE802.3x
Interface	24x RJ45, 2x SFP
Max. bandwidth	52Gb/s
Max. baud rate	10/100/1000BASE-TX
Signal speed	SFP: 1000Mb/s, RJ45 : 10/100/1000Mb/s
Range	~100m
Cooling system	Passive cooling
Usage	Monitoring IP Punkty dostępowe Wi-Fi Małe i średnie sieci biurowe Systemy automatyki i IoT
Additional information	Supports up to 4096 MAC addresses
OTHER PARAMETERS	
Colour	Black
Material	Metal
Working temperature	-25 C ~ 40
Dimensions (D/L x W x H)	219 x 314 x 44 mm
Package	Box
Package contents	1 x Network switch 1 x Cable 1 x Handle 1 x User manual 1 x Warranty card
Package depth / length [mm]	285
Package width [mm]	355
Package height [mm]	80
Net weight [kg]	1.865
Gross weight [kg]	2.057
Warranty	24 months
EAN code	5901878523651